

P2X SERIES - Long Life, 105°C

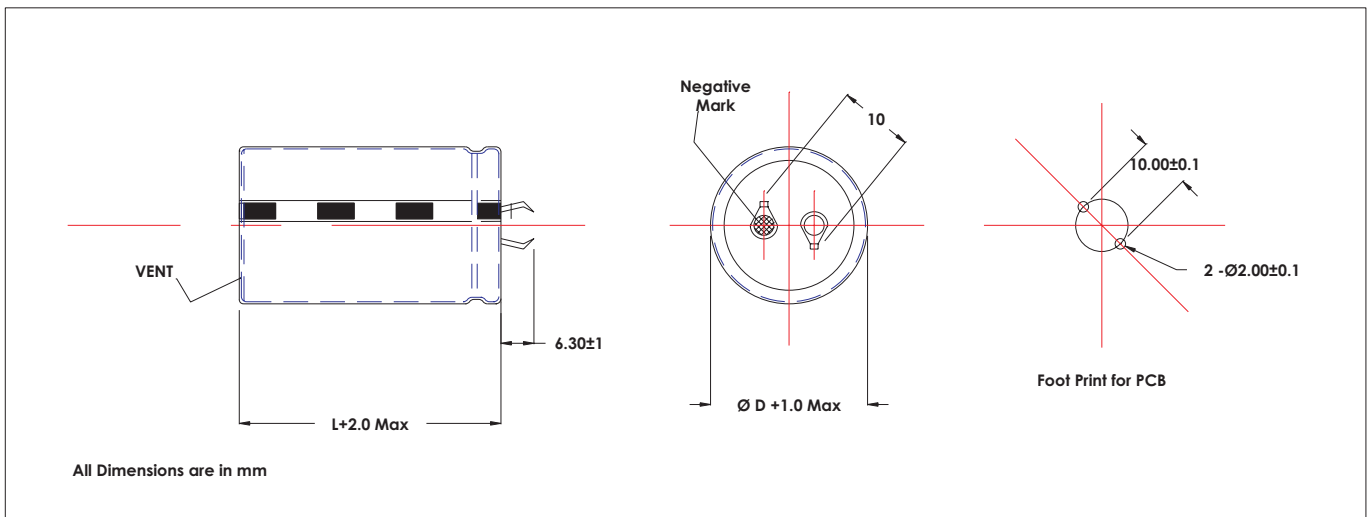
- Minimum Continuous Load Life: 2000 hours at 105°C
- For Power Supplies, Inverters, SMPS
- Snap-in Terminals
- Top Vent for Safety



SPECIFICATIONS

Parameter	Performance						
1 Operating Temperature Range	- 25° C ~ 105° C						
2 Rated Voltage Range	160 V to 450 V						
3 Capacitance Tolerance	± 20%						
4 Leakage Current (Max) - Apply Rated Voltage for 5 minutes before test	I = 0.02 CV or 5 mA, whichever is smaller I = Leakage Current; C= Rated Capacitance; V = Rated Working Voltage						
5 Dissipation Factor (% , max at 100 Hz)	Vdc	160	200	250	350	400	450
	Max Rating			0.15			0.20
6 Temperature Characteristics Impedance Ratio (max)	Vdc	160	200	250	350	400	450
	Z _{-25°C} / Z _{20°C}		4			8	
7 Endurance	After 2000 Hours Life at 105°C with Rated Voltage and Ripple Current the DUT will meet the following conditions						
	Capacitance Change	Within + 20% of initial value					
	Leakage Current	Less than the specified value					
	Dissipation Factor	Less than 200% of specified value					
8 Shelf Life	After 1000 Hours Shelf Life at 105°C and thereafter pre-treatment as per IEC 384-1 the DUT will meet the following conditions						
	Capacitance Change	Within + 20% of initial value					
	Leakage Current	Less than the specified value					
	Dissipation Factor	Less than 200% of specified value					
9 Other Details	As per IEC 384-4						

Dimensions and PCB Footprint



P2X Series Selection Guide: Can Sizes and Ripple Current Ratings

Vdc μF	160V		200V		250V		350V		400V		450V	
	DxL	Ripple	DxL	Ripple	DxL	Ripple	DxL	Ripple	DxL	Ripple	DxL	Ripple
47												
100							22x30	0.69	22x30	0.70	22x40	0.70
150							22x40	0.85	22x40	0.85	22x50	0.85
220			22x30	1.00	22x30	1.00	22x50	1.05	22x50	1.10	25x50	1.10
330	22x30	1.20	22x30	1.20	25x30	1.30	25x50	1.30	25x50	1.45	30x50	1.45
470	22x30	1.55	22x40	1.50	25x40	1.65	30x50	1.65	30x50	1.90	35x50	1.85
560	22x40	1.65	22x40	1.65	25x40	1.80	30x50	1.85	35x50	2.10		
680	22x40	1.80	22x50	1.80	25x50	2.00	35x50	2.00				
1000	22x50	2.25	25x50	2.30	30x50	2.45						
1500					35x50	3.00						
2200												

Multippliers Table for Ripple Current Specification

Parameter	50 Hz	100 Hz	1K Hz	10K Hz	105°C	85°C	65°C
Coefficient	0.8	1.0	1.3	1.5	1.0	1.7	2.1

Abbreviations Used:- D: Diameter of Aluminum Case in mm, L: Length of Aluminum Case in mm

Ripple Current: Maximum Rating, in Amperes at rated Operating Temperature and rated Maximum Operating Voltage